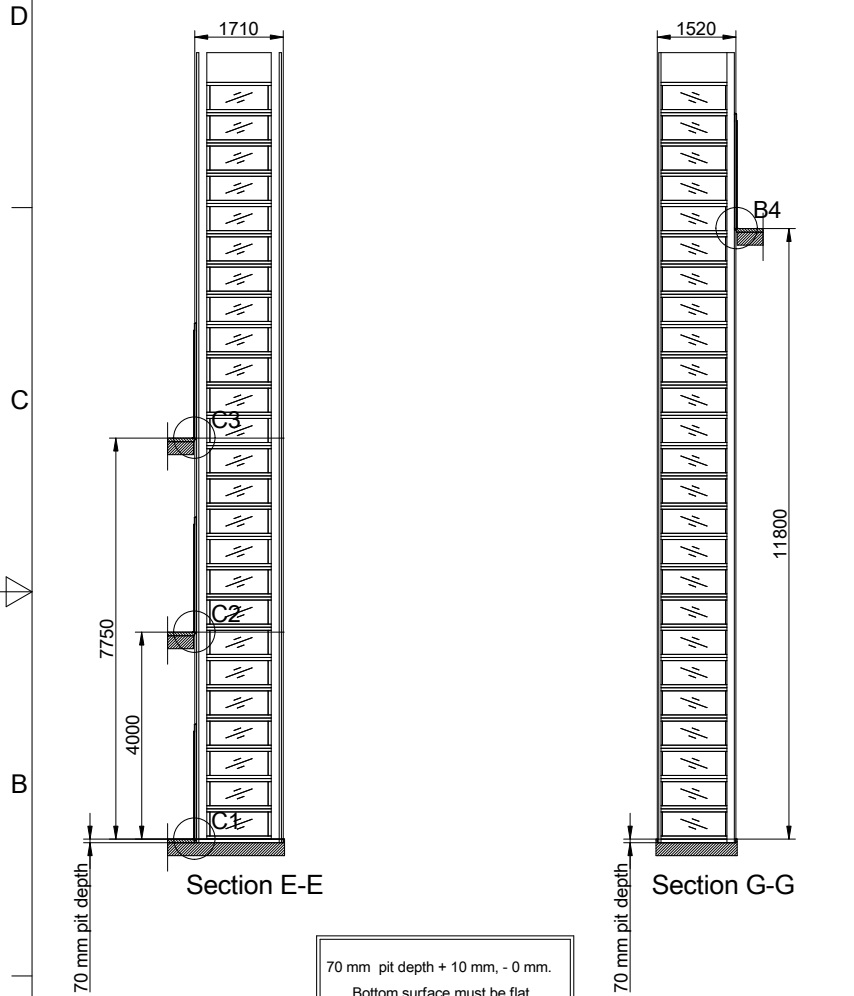


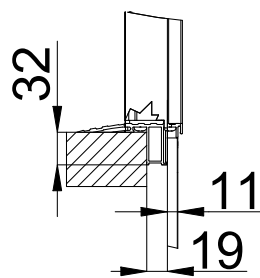
Shaft cutout sizes

Clear space required for lift unit not in a shaft by others

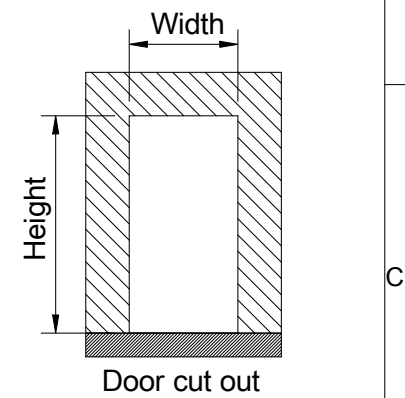
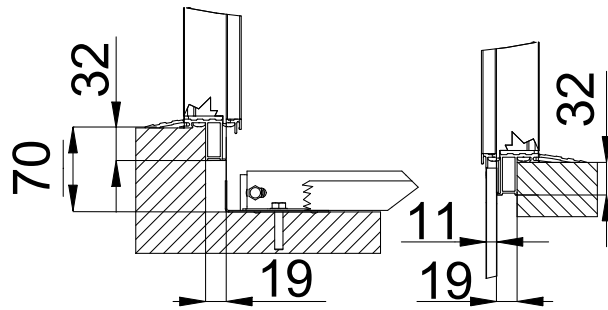
Door front cutout sizes		
Landing	Width	Height
B 4	1710	2250
C 1	1520	2250
C 2	1520	2250
C 3	1520	2250



C2,3 (1:5)



C1 (1:5)



Incoming power supply is connected at landing:

For wiring and power supply, refer to the unit's wiring diagrams.
Ceiling shaft lighting, is independent from the power cable and pulled back into the trench's upper part. Shaft lighting > 50 lux.

NOTE! An effective emergency telephone is required for approved inspection.
The purchaser is responsible for an active phone line being present prior to the lift installation.

The incoming telephone line is connected to GLOW (TELE). Refer to wiring diagram.

The emergency signal device is powered by the lift's own battery in the event of a power failure.

The lift must be equipped with a two-way communication, either via the standard telephone or via the lift telephone, which automatically calls the alarm control center or the like.

NOTE! A lift featuring a frequency converter cannot be directly connected to a RCD.

Approved for manufacturing
Approved by builder:

European view placement:

